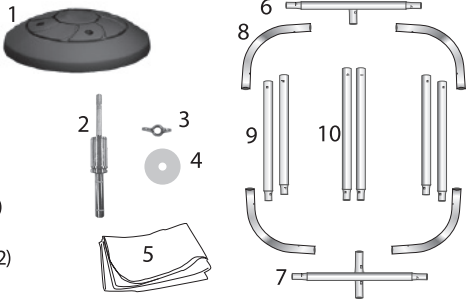


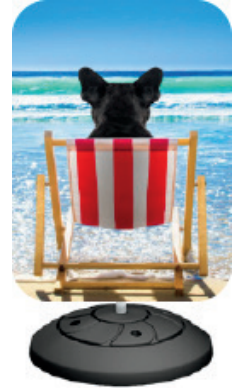
EuroFit Swivel Short

Product Parts

- 1 - Base
- 2 - Post
- 3 - Wingnut
- 4 - Washer
- 5 - Graphic
- 6 - Top Pole
- 7 - Bottom Pole
- 8 - Corner Poles (x4)
- 9 - Side Poles (x4)
- 10 - Center Poles (x2)
- Optional**
- 11 - Base Graphic



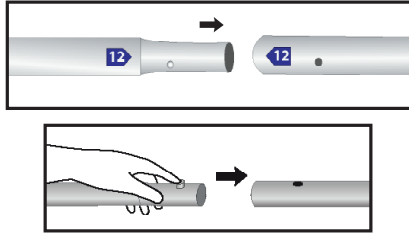
Optional



Display Set-Up

Step 1

Assemble all the Poles (6, 7, 8, 9, 10) by connecting the corresponding numbers together while pressing the button as shown.



Step 3

Place Graphic (5) over assembled poles starting at Top Pole (6) and zipping in place at Bottom Pole (7).



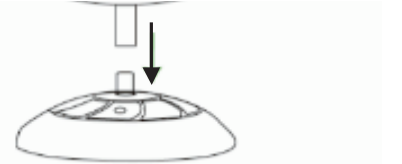
Step 2

Insert Post (2) through Base (1) with threaded end towards bottom side. Secure Post in place with Washer (4) and Wingnut (3).



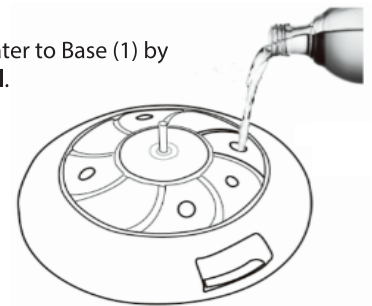
Step 4

Place assembled Poles with Graphic onto Post until snug. Assembled display should rotate freely.



Step 5

Move to desired location and add water to Base (1) by removing cap and replacing once full.



Optional Accessory

An optional Base Graphic (11) fits snugly over Base (1) for additional artwork. Item# 258079.

Note: Apply to Base (1) before step 4.



Storage & Care

Place all product parts into box and store in cool dry location. Drain Base, Do NOT store with water in Base. For Indoor and outdoor use. Machine wash on gentle cycle using mild detergent. Tumble Dry No Heat. Do NOT dry clean, Do NOT iron.